

Bullet Camera

Day/Night, 600 TV Lines, 30 IR LEDs, Weatherproof Bullet Camera

CB-HD2N-L

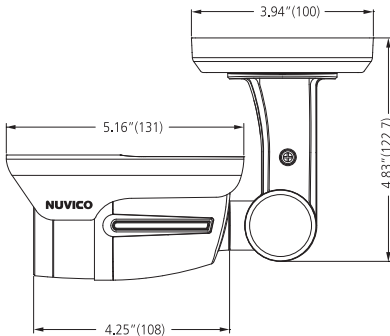
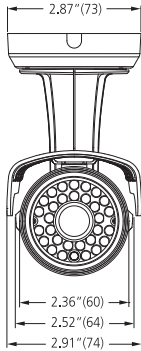
NTSC

KEY FEATURES

- 1/3" CCD Sensor
- 600 TV Lines
- 2.9mm
- Day/Night Functionality
- 30 IR LEDs
- Smart IR - Automatic Intensity Adjustment
- 0.2 Lux (Color), 0.00 Lux (IR LEDs on)
- 12VDC

DIMENSIONS

UNIT: Inches (mm)



TECHNICAL SPECIFICATIONS

Technical Specifications	CB-HD2N-L
Video Format	NTSC
Image Sensor	1/3" CCD
Horizontal Resolution	600 TV Lines
Day/Night Functionality	Yes
Lens Type (DC Auto Iris)	Fixed 2.9mm
Angle of View	120°
IR LEDs	30
IR LEDs Distance	Up to 35ft.
LEDs Illumination Angle	80°
Sync System	Internal
Effective Pixels (HxV)	768(H) x 494(V)
Scanning System	525 Lines, 2:1 Interlaced
Electronic Shutter	1/60 ~ 1/120,000 sec.
Main Video Output	1.0 Vp-p Composite, 75 ohm
Minimum Illumination	0.2 Lux (Color), 0.00 Lux (IR LEDs on)
S/N Ratio	More than 48dB (AGC Off)
White Balance	ATW
General Information	CB-HD2N-L
Operating Temperature	23°F ~ 113°F (-5°C ~ +45°C)
Operating Humidity	Within 90% RH
Power Consumption	12W (LEDs On), 4W (Camera Only)
Input Voltage	12VDC

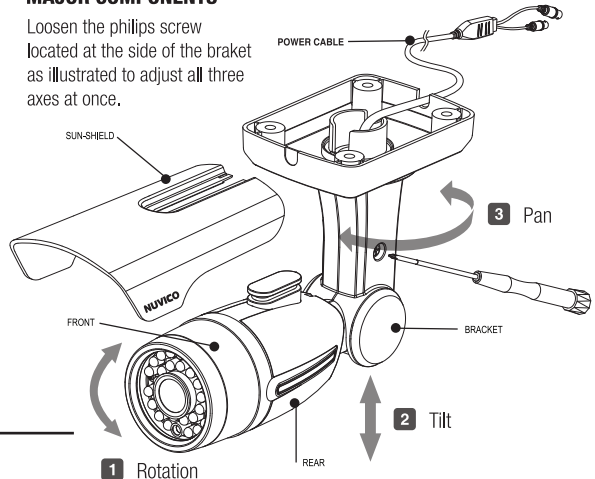
*Specifications are subject to change without any prior notice.

WARNING

- *Must use specified and regulated 12VDC power supply.
- *Make sure to use power leads already supplied with the camera.
If cables coming out of the camera are spliced, Warranty will be voided.

MAJOR COMPONENTS

Loosen the philips screw located at the side of the bracket as illustrated to adjust all three axes at once.



NUVICO®

53 Smith Street, Englewood, NJ 07631-4607 USA
Phone: 201-541-1605 Toll Free: 866-523-1700 Fax: 201-541-1620
sales@nuvico.com | export@nuvico.com | www.nuvico.com

NUVICO reserves the right to alter product offers and specification at any time without prior notice.
Copyright © 2012 NUVICO. All rights reserved.

Version 3.0

Bullet Camera

Day/Night, 600 TV Lines, 30 IR LEDs, Weatherproof Bullet Camera

CB-HD2P-L

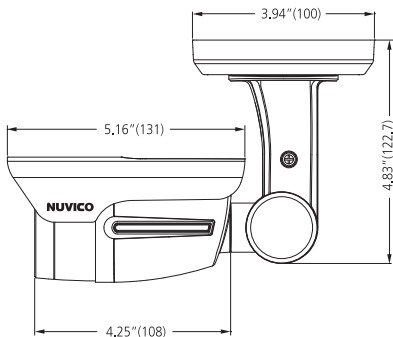
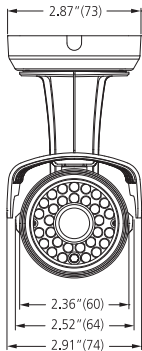
PAL

KEY FEATURES

- 1/3" CCD Sensor
- 600 TV Lines
- 2.9mm Fixed Lens
- Day/Night Functionality
- 30 IR LEDs
- Smart IR - Automatic Intensity Adjustment
- 0.2 Lux (Color), 0.00 Lux (IR LEDs on)
- 12VDC

DIMENSIONS

UNIT: Inches (mm)



TECHNICAL SPECIFICATIONS

Technical Specifications	CB-HD2P-L
Video Format	PAL
Image Sensor	1/3" CCD
Horizontal Resolution	600 TV Lines
Day/Night Functionality	Yes
Lens Type (DC Auto Iris)	Fixed 2.9mm
Angle of View	120°
IR LEDs	30
IR LEDs Distance	Up to 35ft.
LEDs Illumination Angle	80°
Sync System	Internal
Effective Pixels (HxV)	752(H) x 582(V)
Scanning System	625 Lines. 2:1 Interlaced
Electronic Shutter	1/50 ~ 1/120,000 sec.
Main Video Output	1.0 Vp-p Composite, 75 ohm
Minimum Illumination	0.2 Lux (Color), 0.00 Lux (IR LEDs on)
S/N Ratio	More than 48dB (AGC Off)
White Balance	ATW
General Information	CB-HD2P-L
Operating Temperature	23°F ~ 113°F (-5°C ~ +45°C)
Operating Humidity	Within 90% RH
Power Consumption	12W (LEDs On), 4W (Camera Only)
Input Voltage	12VDC

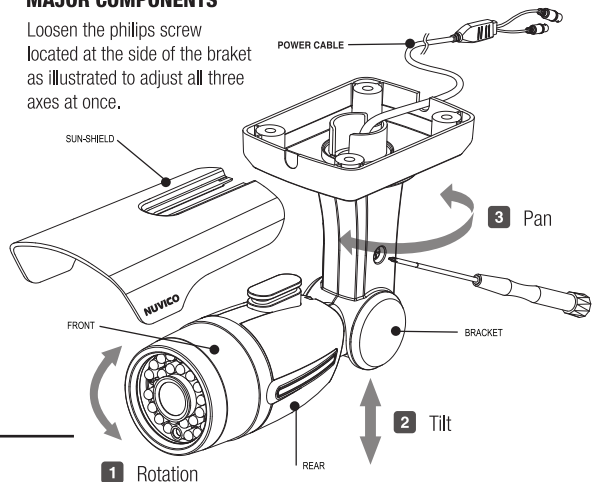
*Specifications are subject to change without any prior notice.

WARNING

- *Must use specified and regulated 12VDC power supply.
- *Make sure to use power leads already supplied with the camera.
- If cables coming out of the camera are spliced, Warranty will be voided.

MAJOR COMPONENTS

Loosen the philips screw located at the side of the bracket as illustrated to adjust all three axes at once.



NUVICO®

53 Smith Street, Englewood, NJ 07631-4607 USA
Phone: 201-541-1605 Toll Free: 866-523-1700 Fax: 201-541-1620
sales@nuvico.com | export@nuvico.com | www.nuvico.com

NUVICO reserves the right to alter product offers and specification at any time without prior notice.
Copyright © 2012 NUVICO. All rights reserved.

Version 3.0