

# EasyView™ Lite Series

Day/Night, 600 TV Lines, 30 IR LEDs, Indoor Dome Camera

## CD-H2N • CD-HD2N-L

## NTSC/PAL



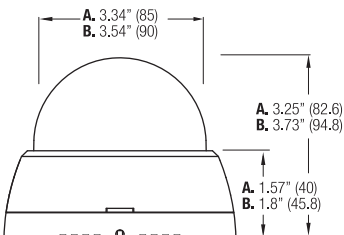
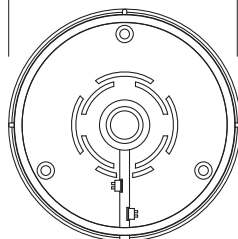
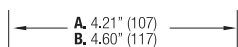
### KEY FEATURES

- 1/3" CCD Sensor
- 600 TV Lines
- 2.9mm Fixed Lens
- Day/Night Functionality (CD-HD2N-L Only)
- 30 IR LEDs (CD-HD2N-L Only)
- 0.2 Lux (Color), 0.00 Lux (B/W)
- 12VDC

### DIMENSIONS

UNIT: Inches (mm)

A. CD-H2N B. CD-HD2N-L (IR30)



### TECHNICAL SPECIFICATIONS

Technical Specifications	CD-H2N*	CD-HD2N-L*
Video Format	NTSC/PAL	
Image Sensor	1/3" CCD	
Horizontal Resolution	600 TV Lines	
Day/Night Functionality	No	Yes
Lens Type	Fixed 2.9mm	
Angle of View	120°	
IR LED	N/A	30
IR LED Distance	N/A	Up to 50ft.
LED Illumination Angle	N/A	80°
Sync System	Internal	
Effective Pixels (HxV)	768 x 494(NTSC) / 752 x 582(PAL)	
Scanning System	525 Lines(NTSC) / 625(PAL), 2:1 Interlaced	
Electronic Shutter	1/60(N) / 1/50(P) ~ 1/100,000 sec.	
Main Video Output	1.0 Vp-p Composite, 75 ohm	
Service Monitor Output	No	
Minimum Illumination	0.2 Lux (Color)	0.00 Lux (B/W, IR LEDs On)
S/N Ratio	More than 48dB (AGC Off)	
General Information	CD-H2N*	CD-HD2N-L*
Operating Temperature	23°F ~ 113°F (-5°C ~ +45°C)	
Operating Humidity	Within 90% RH	
Power Consumption	500mA	1 Amp (LED On)
Input Voltage	12VDC	

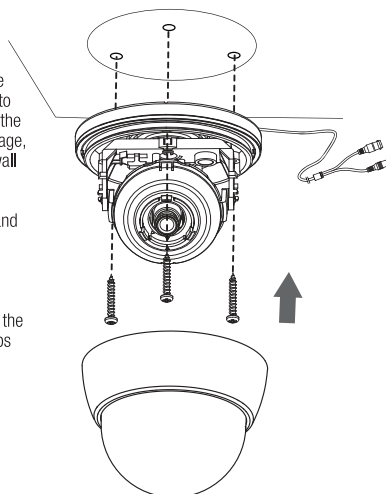
\*The "N" at the end of the model number denotes NTSC model. For PAL standard model, substitute with the letter "P."

### WARNING

- \*Must use specified and regulated 12VDC power supply.
- \*Make sure to use power leads already supplied with the camera.
- If cables coming out of the camera are spliced, Warranty will be voided.

### INSTALLATION

1. Following the illustration to the right, place the template sticker to the desired location. Then using the three screws provided with package, secure the camera base to the wall or ceiling as shown.
2. Make the appropriate power and video connections.
3. Adjust the 3-axis gimbal and point the camera to the desired area. Place the dome cover over the base and push firmly until it snaps into place.



# NUVICO®

53 Smith Street, Englewood, NJ 07631-4607 USA  
 Phone: 201-541-1605 Toll Free: 866-523-1700 Fax: 201-541-1620  
 sales@nuvico.com | export@nuvico.com | www.nuvico.com

NUVICO reserves the right to alter product offers and specification at any time without prior notice.  
 Copyright © 2010 NUVICO. All rights reserved.